



PCB Information Package Tait Orca

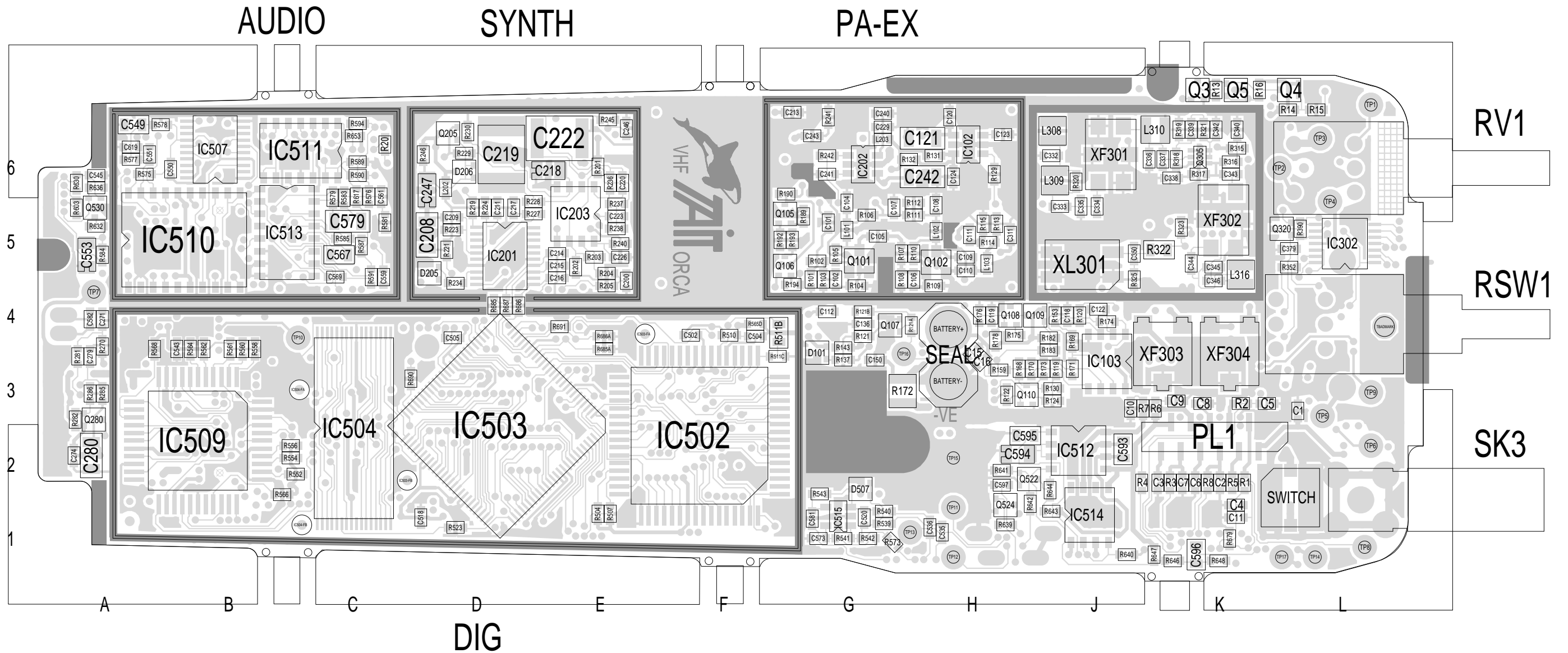
VHF PCB LAYOUT - 136-174 MHz

220-01588-04

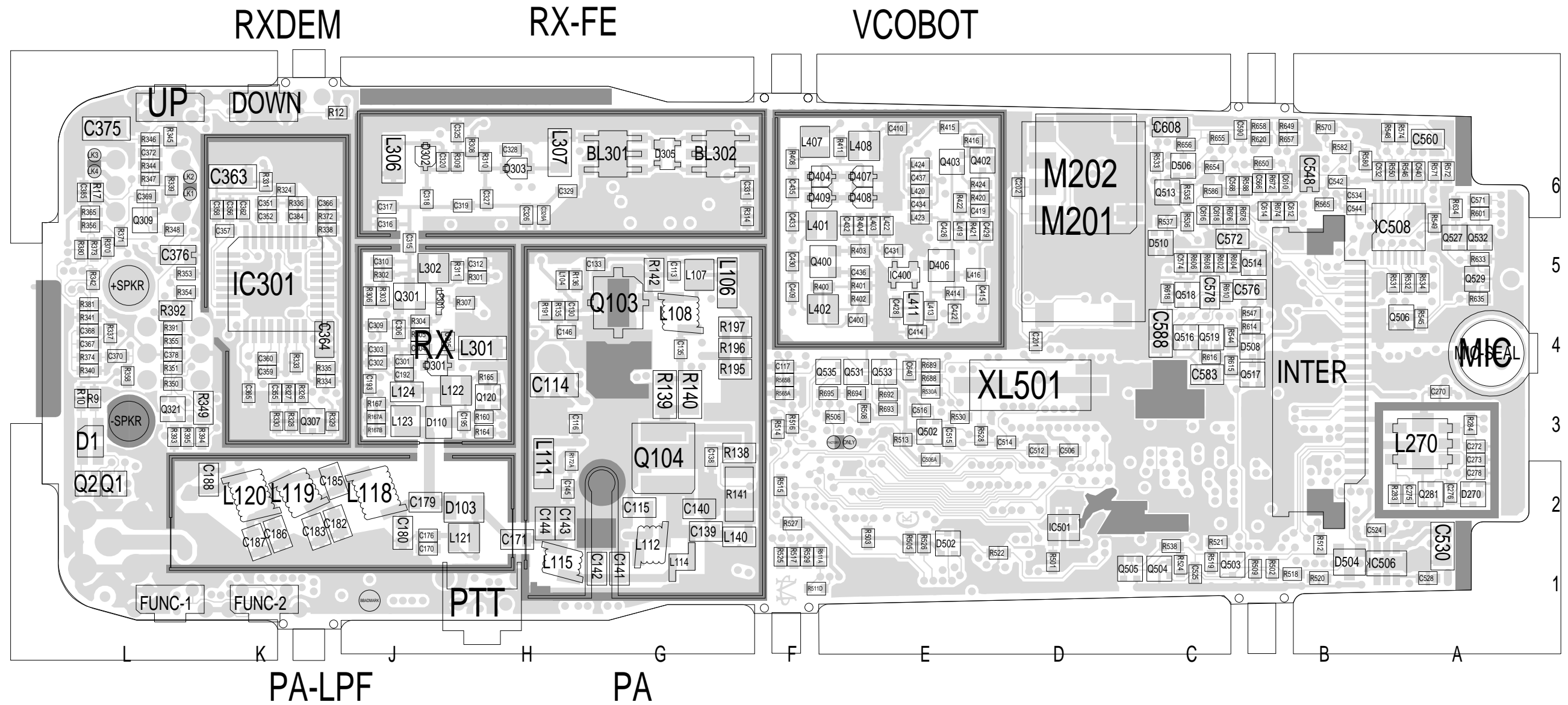
This PCB Information Package contains the following information for the VHF 136-174 MHz Tait Orca:

- [PCB layouts](#)
- [circuit diagrams](#).

Click on the links above or the bookmarks at the side to go to the relevant page.

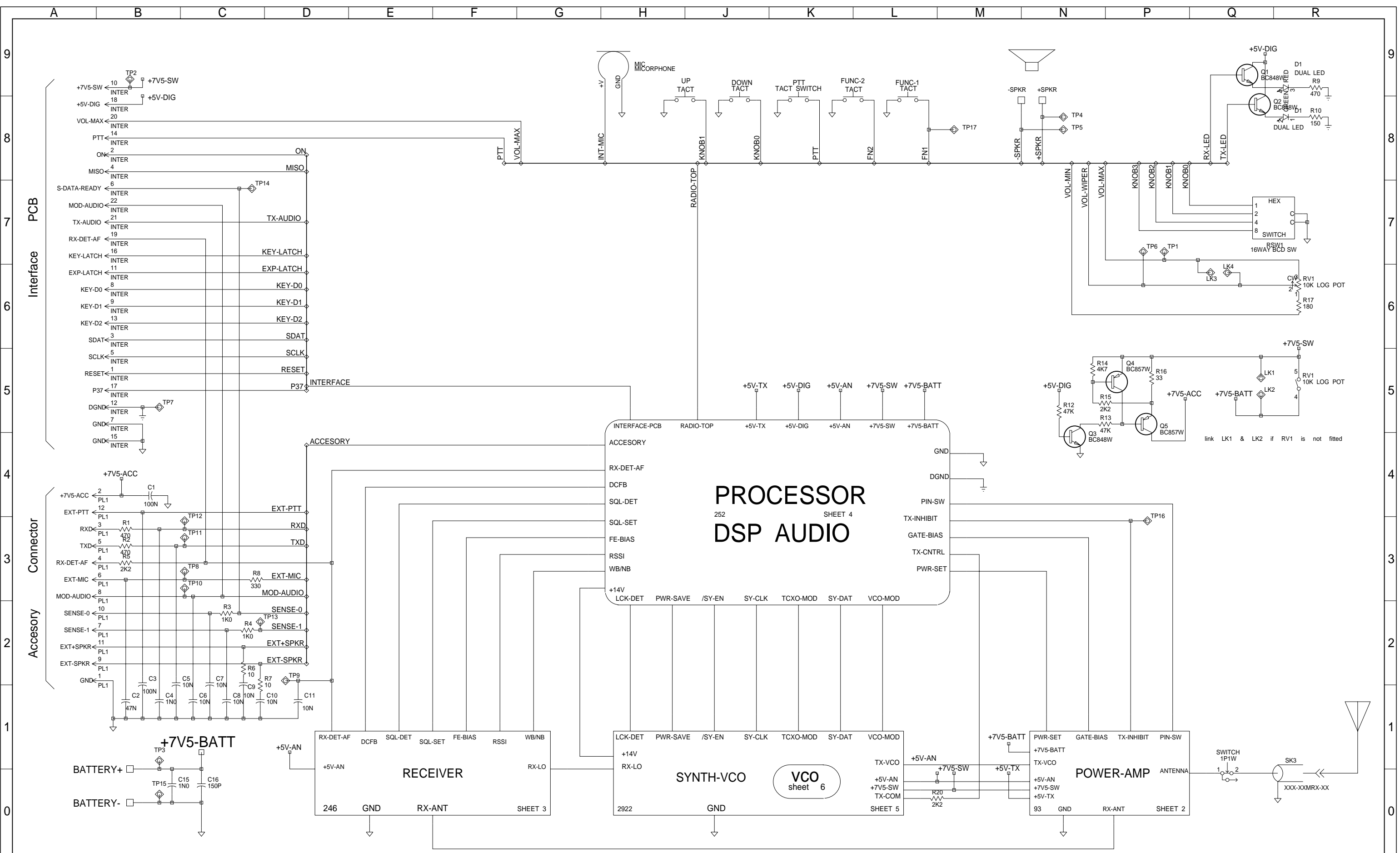


TAIT ELECTRONICS	IPN: 220-01588-04	ISS: A	ID: 1.TA	DATE: 16 Nov 1999
ORCA VHF PCB LAYOUT - TOP SIDE				



TAIT ELECTRONICS IPN: 220-01588-04 ISS: A ID: 6.BA DATE: 16 Nov 1999
 ORCA VHF PCB LAYOUT - BOTTOM SIDE

Scale: 2.3:1 ; Rotation: 0 degrees

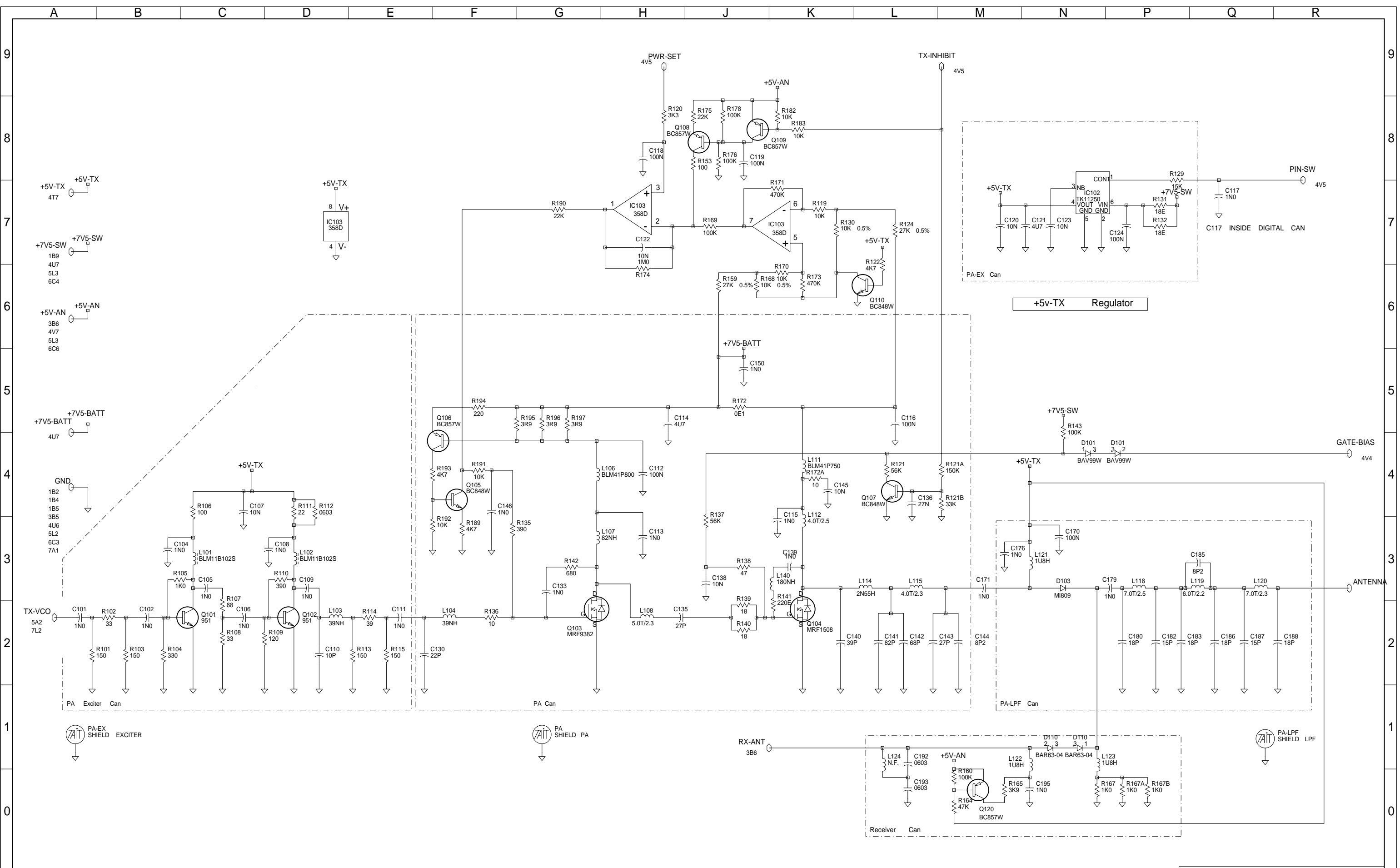


04B	CCO NO.1588-012 DIG CAN ATL.2	BRD			03-02-2K
04A	CCO 1588/005.009.010	CM/BD/CK			16/11/99
03B	4 SPR.PINS TO SMD. SEALS NONSMD	TS			06/10/99
02B	PARTS ADDED TO SAVE POWER	BRD			11/06/99
02B	GEN-NEW PASTE SCREEN FOR DEK	BRD			02/06/99
02A	MINOR MOD TO CCT AND VALUES	SP/CJK			25/05/99
01A	NEW PA LINEUP	BCS/CJK			12/02/99
REV/ISS	AMENDMENTS	DRAWN	CHKD	D.O.	APVD DATE



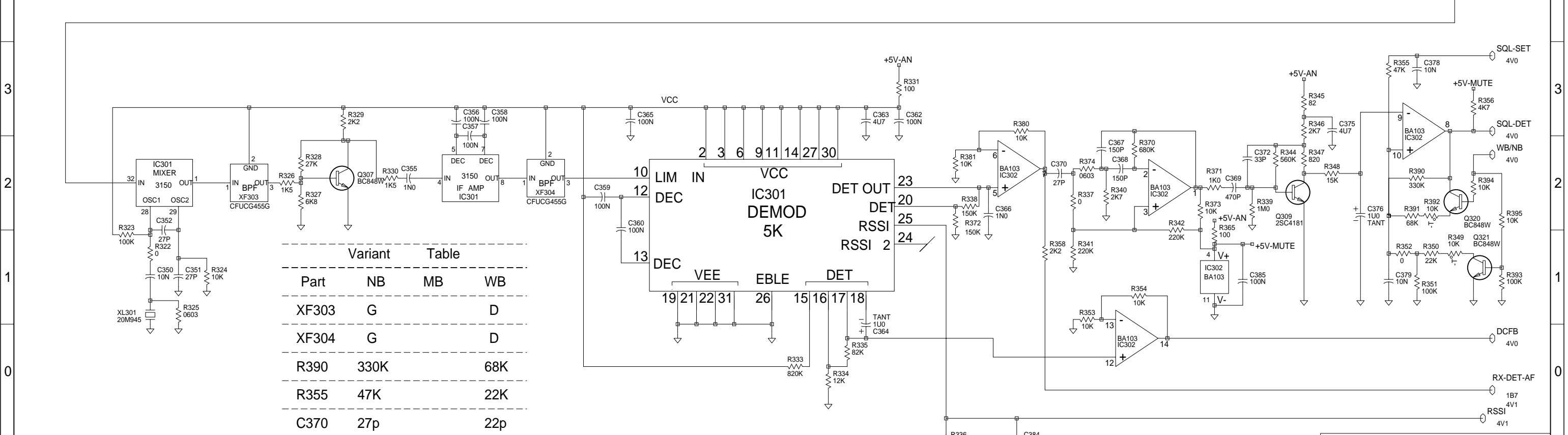
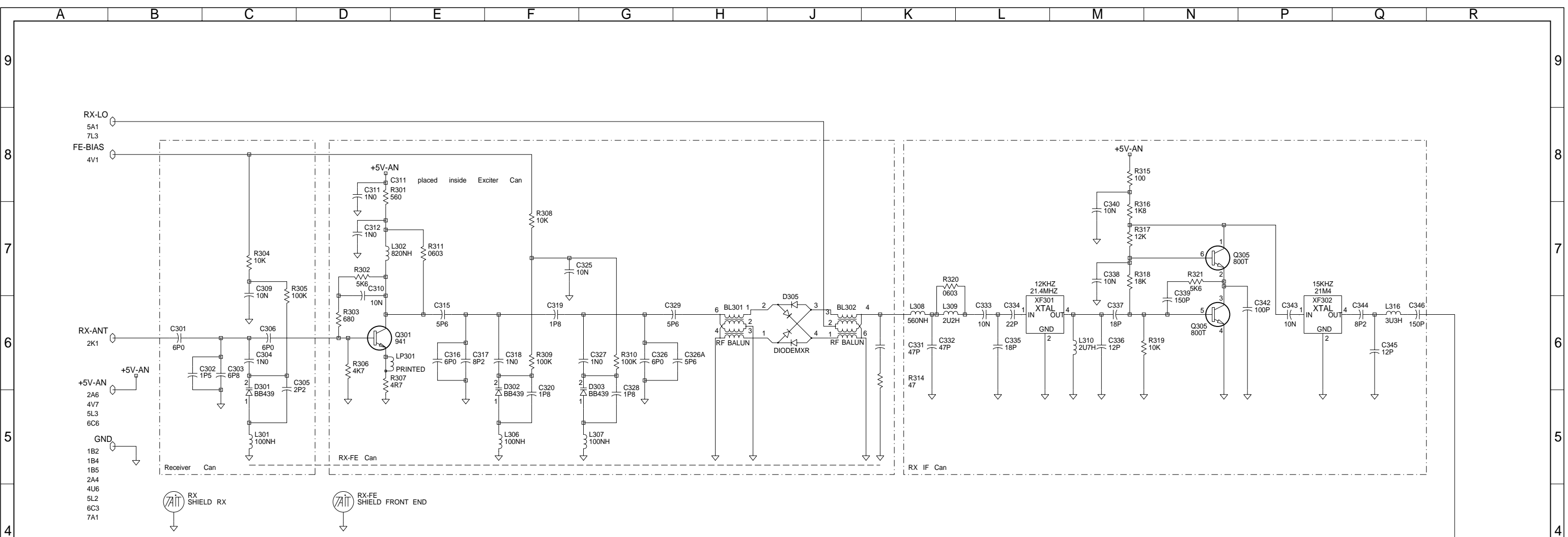
VHF
Tait Orca

© TAIT ELECTRONICS	
ORCA	:TP010-3122 136-174MHZ
SYSTEM DIAGRAM	
IPN: 220-01588-04	ISSUE: B
DESIGNER: TAIT ORCA	FILE DATE: 7-Feb-00
BRD: 158804b	NO.SHEETS: 7

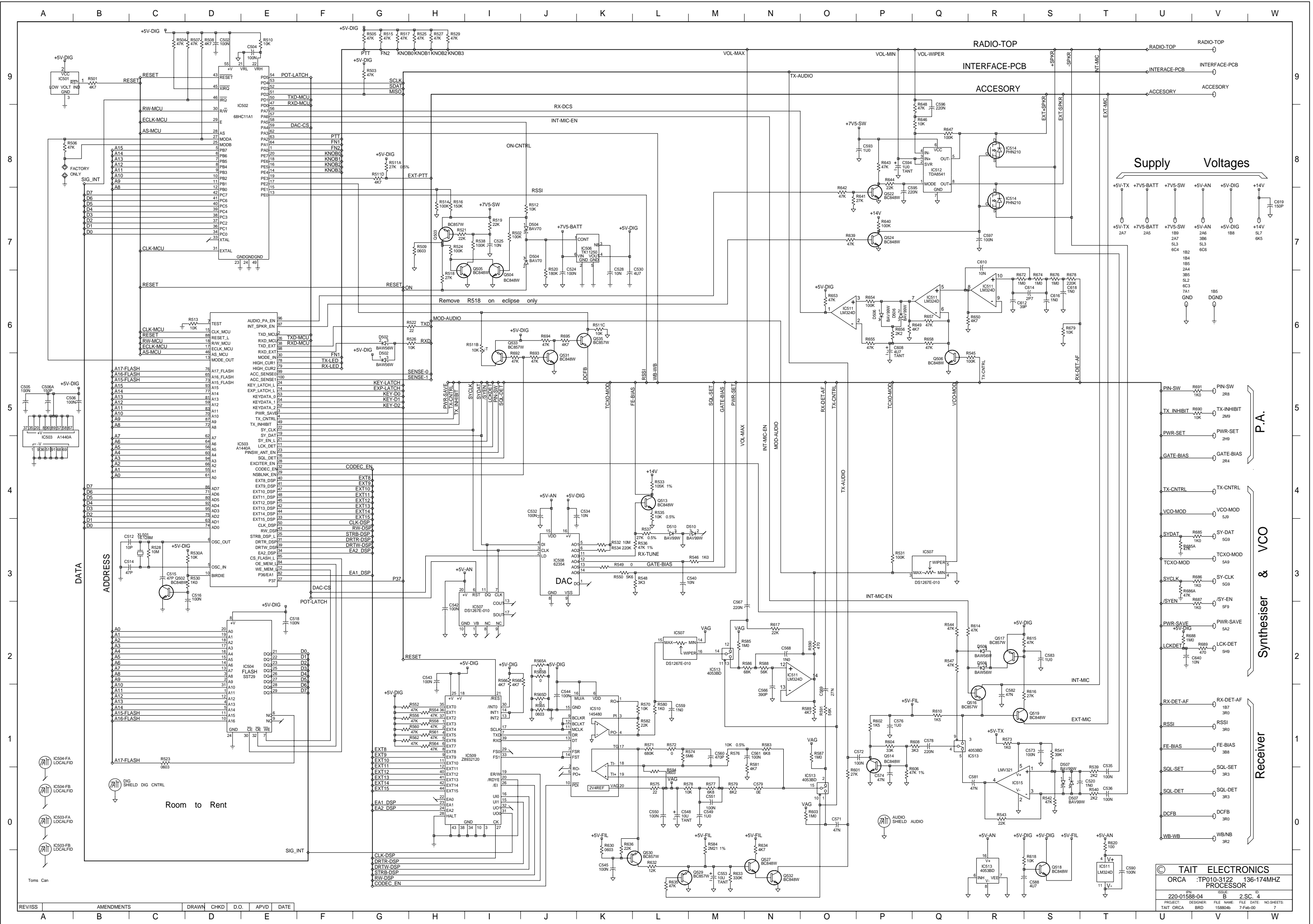


© TAIT ELECTRONICS
 ORCA :TP010-3122 136-174MHZ
 POWER AMPLIFIER
 IPN: B ISSUE: 2.S.C. 2
 PROJECT: TAIT ORCA BRD DESIGNER: FILE NAME: 158804b FILE DATE: 7-Feb-00 NO.SHEETS: 7

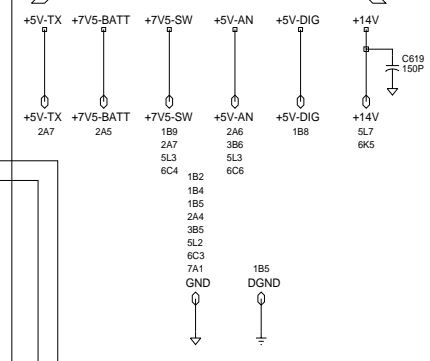
REV/ISS	AMENDMENTS	DRAWN	CHKD	D.O.	APVD	DATE
A						



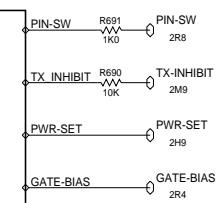
REV/ISS	AMENDMENTS	DRAWN	CHKD	D.O.	APVD	DATE



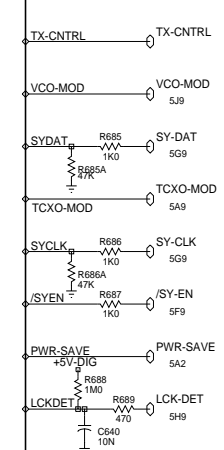
Supply Voltages



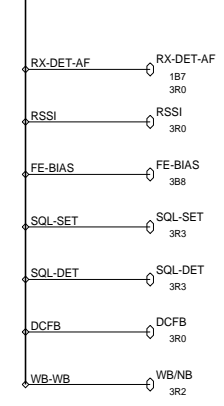
P.A.



Synthesiser & VCO



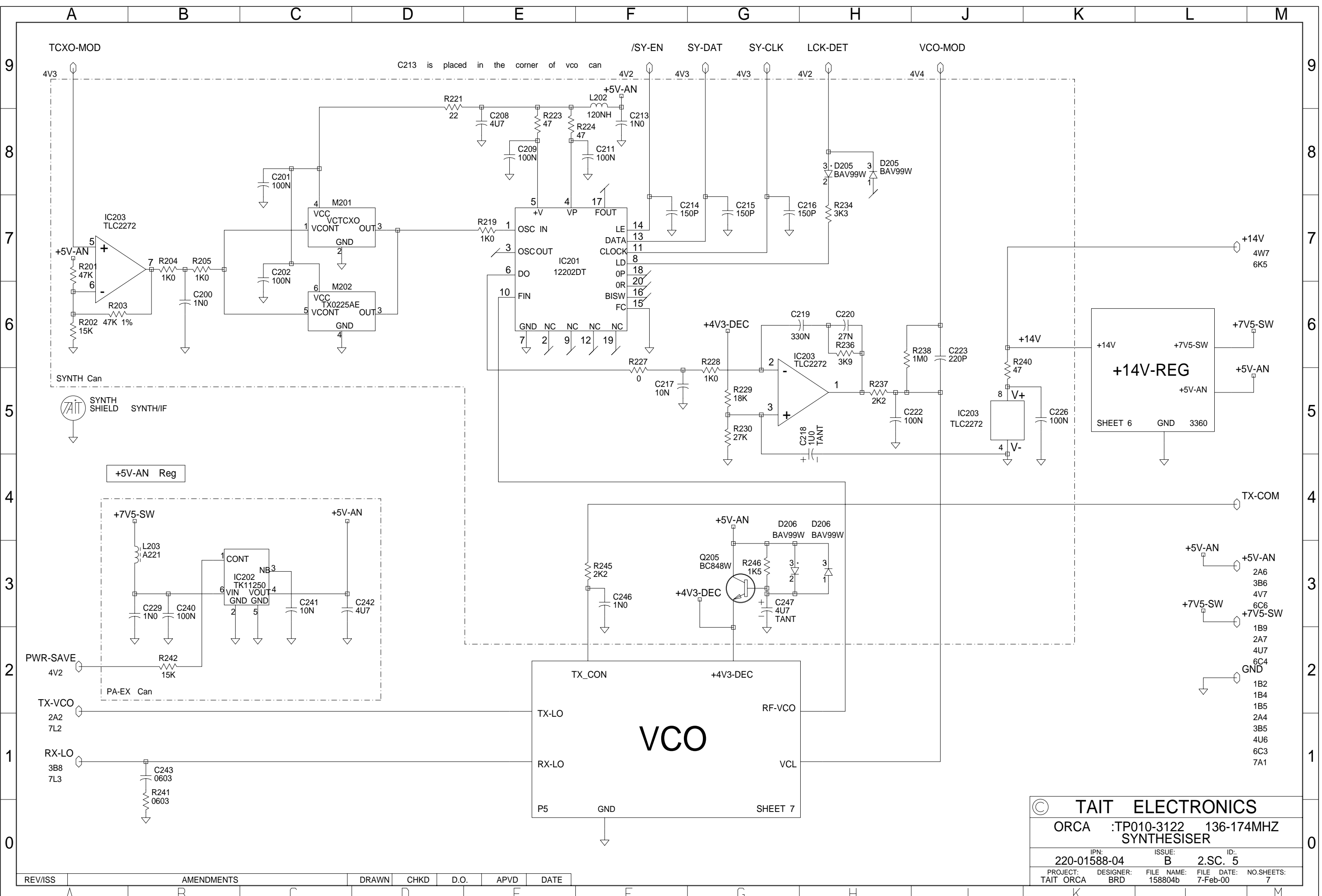
Receiver



Room to Rent

© TAIT ELECTRONICS
 ORCA :TP10-3122 136-174MHZ
 PROCESSOR
 220-01588-04 B 2-SC 4
 PROJECT DESIGNER FILE NAME FILE DATE NO SHEETS
 TAIT ORCA BRD 158804b 7-Feb-00 7

REV/ISS	AMENDMENTS	DRAWN	CHKD	D.O.	APVD	DATE
A						



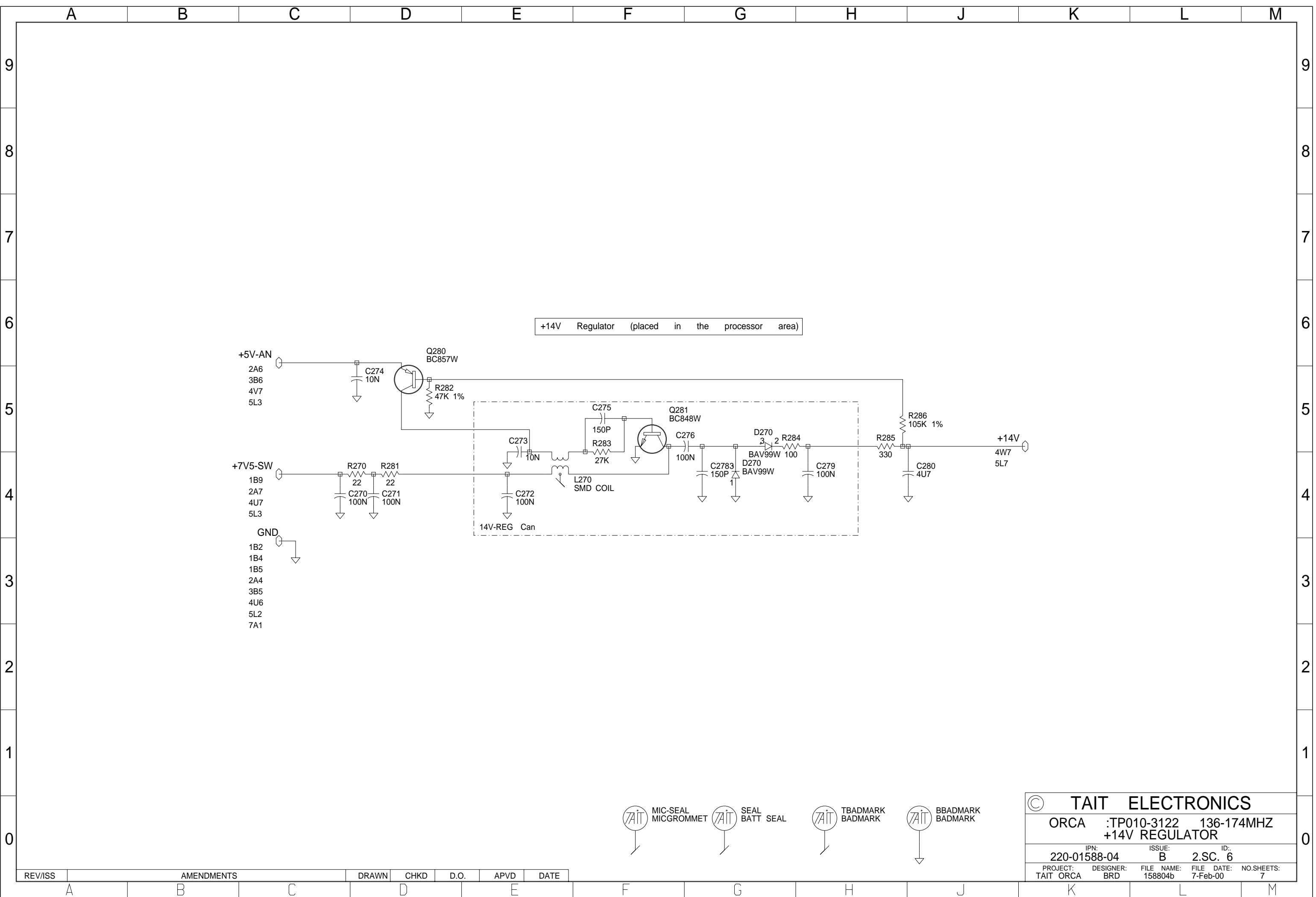
C213 is placed in the corner of vco can

+14V-REG
SHEET 6
GND 3360

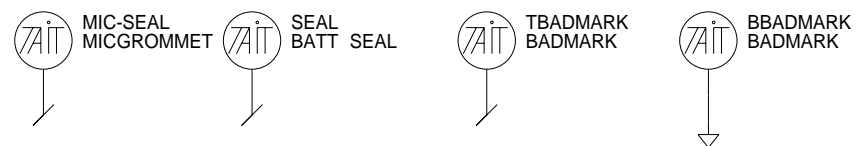
VCO
SHEET 7
P5 GND

© TAIT ELECTRONICS				
ORCA	:TP010-3122	136-174MHZ	SYNTHESISER	
IPN:	220-01588-04	ISSUE:	B	ID: 2.SC. 5
PROJECT:	TAIT ORCA	DESIGNER:	BRD	FILE NAME: 158804b
		FILE DATE:	7-Feb-00	NO.SHEETS: 7

REV/ISS	AMENDMENTS	DRAWN	CHKD	D.O.	APVD	DATE

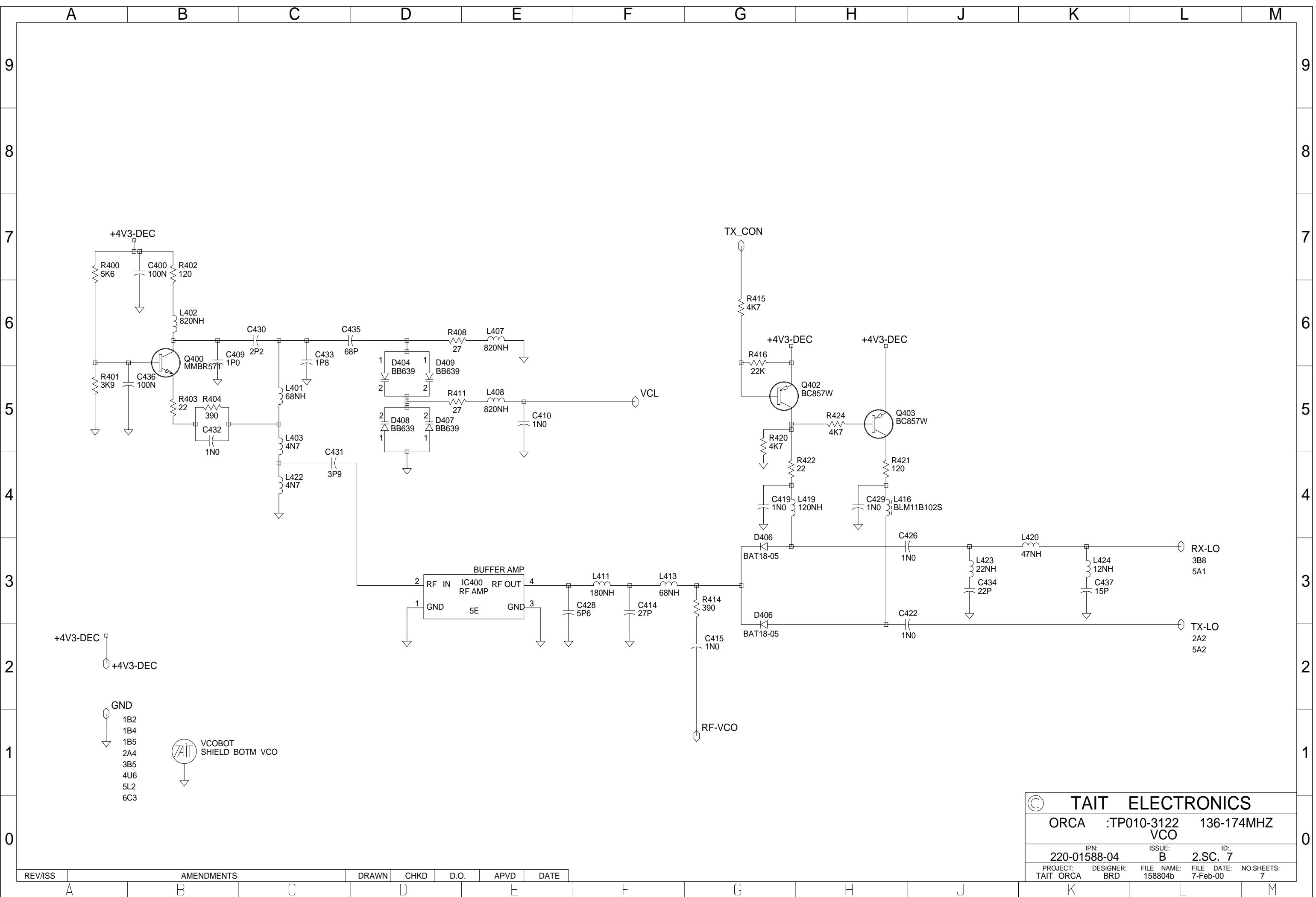


+14V Regulator (placed in the processor area)



© TAIT ELECTRONICS				
ORCA	:TP010-3122	136-174MHZ	+14V REGULATOR	
220-01588-04	IPN:	B	ISSUE:	ID: 6
TAIT ORCA	DESIGNER: BRD	FILE NAME: 158804b	FILE DATE: 7-Feb-00	NO.SHEETS: 7

REV/ISS	AMENDMENTS	DRAWN	CHKD	D.O.	APVD	DATE



© TAIT ELECTRONICS				
ORCA	:TP010-3122	136-174MHZ	VCO	
IPN:	ISSUE:	ID:		
220-01588-04	B	2.SC. 7		
PROJECT:	DESIGNER:	FILE NAME:	FILE DATE:	NO.SHEETS:
TAIT ORCA	BRD	158804b	7-Feb-00	7

REV/ISS	AMENDMENTS	DRAWN	CHKD	D.O.	APVD	DATE